



CB 316 New

LIST OF THE EXPLODED VIEWS



SHELL ASSY

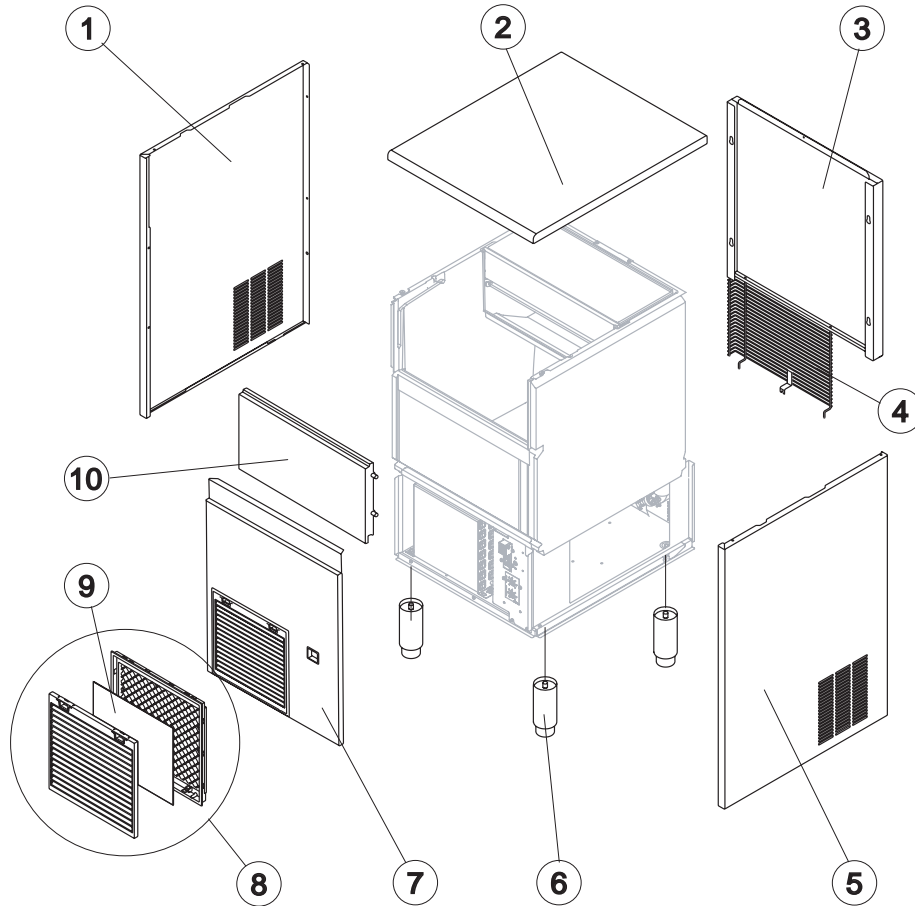
COOLING SYSTEM

HYDRAULIC CIRCUIT

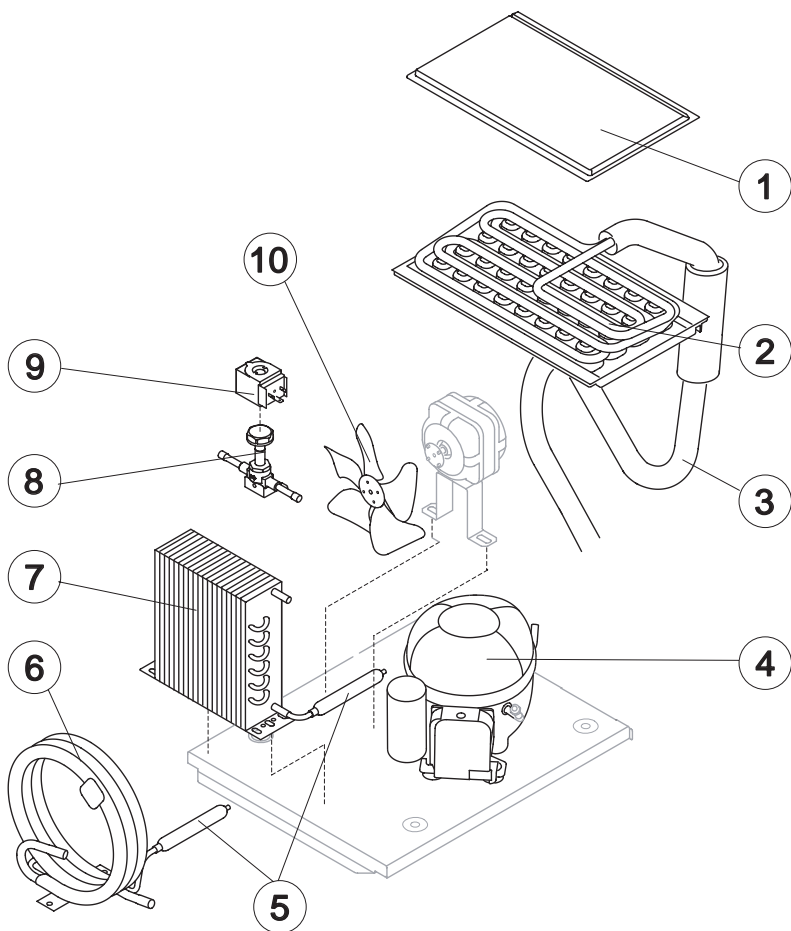
HYDRAULIC CIRCUIT DP

ELECTRICAL PARTS

Rev. 00 - 01/10/2021



Ref.	Spare Description	Code
1	Left Side Panel Assembly	C221976
2	Top	221967
3	Rear Side Panel	21564
4	Back grill	D12136
5	Right Side Panel Assembly	C221977
6	Adjustable Foot	20613
7	Front Panel	C221962
8	Grid whit Filter Assembly	C10205
9	Filter	18106
10	Door Assembly	C10297



Common Parts

Ref.	Spare Description	Code
1	Evaporator Cover Panel	10513
2	Evaporator Assy	See Table
3	Suction Line	for the spare parts code give us the s/n.
4	Compressor	See Table
5*	Liquid Line Drier	14009
8*	Hot Gas Valve Body	201129
9*	Hot Gas Valve Coil	231294
10	Suction Fan	See Table

Parts for Air-Cooled Version Only

Ref.	Spare Description	Code
7	Air Condenser	20283

Parts for Water-Cooled Version Only

Ref.	Spare Description	Code
6	Water Condenser	14014

R2f. 2 - Evaporator

Kind of Cube	Code
18 g. (Standard)	D10046
33 g.	D10089
13 g.	D10417
42 g.	D10465

Ref. 4 - Compressor

Voltage	Code
220/240V 50 Hz	23985
220V 60 Hz	23494A

Ref. 10 - Suction Fan

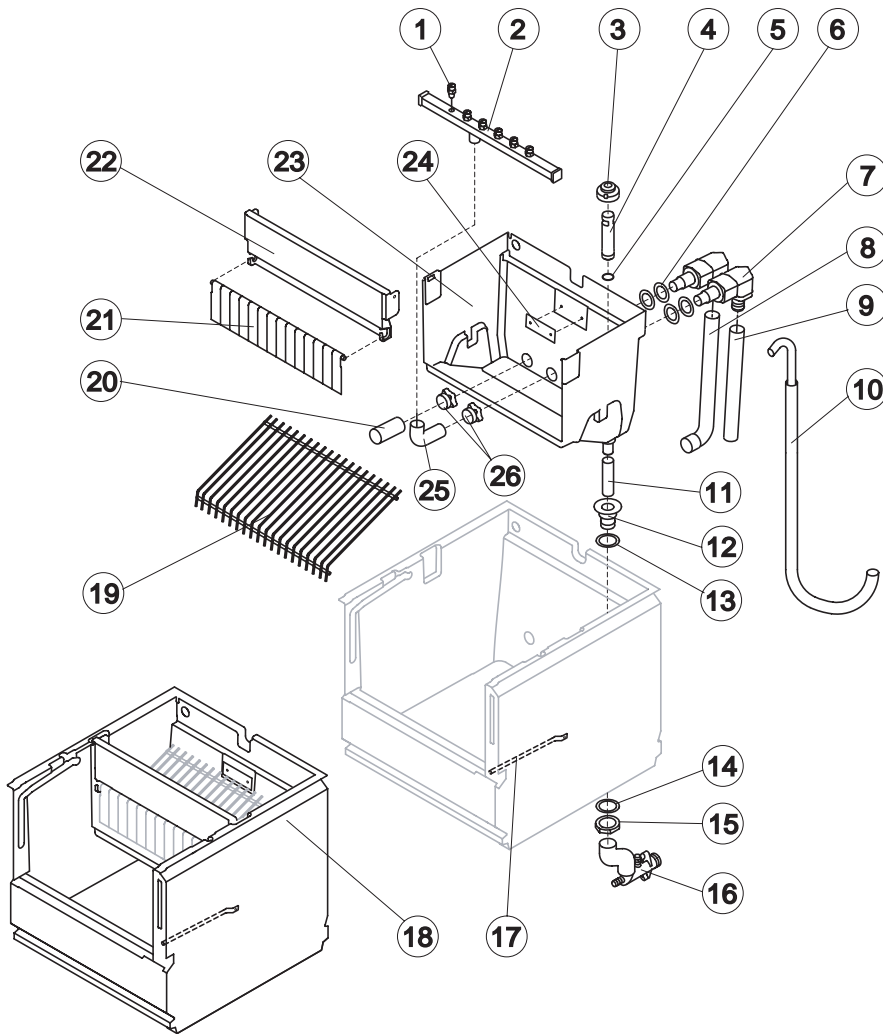
Voltage	Air	Water
220/240V 50 Hz	20096	10213
220V 60 Hz	20096	10213

Rev. 00 - 01/10/2021



CB 316 New

HYDRAULIC CIRCUIT only for CB316A and CB316W



Common Parts

Ref.	Spare Description	Code
1	Sprayer	D20002
2*	Sprayers Bar Assembly	See Table
3*	Overflow Cap	10305
4*	Overflow Pipe	10133
5*	OR Gasket for Overflow Pipe	20233
6	Gasket for Pump Suction/Delivery Pipes	13220
7	Insulated Pump Suction/Delivery Fitting	C10653
8	Insulated Pump Suction Pipe	C13172
9	Insulated Pump Delivery Pipe	C13175295
10*	Water Supply Pipe to the Evaporator	C13224
11*	Overflow Pipe	13107
12	Water Outlet Nipple	10472
13	Gasket	13219
14	Semirigid Polyethylene Gasket	13007
15	Bin Discharge Nut	10096
17	Bulbe-holder Pipe	20522
18	Complete Basin Assembly	C11257
19*	Ice Cubes Slide	See Table
20*	Pump Suction Filter	20005
21	Rod with Flags	10534
22	Flags ABS Support	10526
23	Inner Basin	10916
24	Slide Keep Plate	10009
25	Sprayers Feeding Pipe	13005
26	Fittings Locking Ring	10654

Rev. 00 - 01/10/2021

Ref. 2* - Sprayers Bar Assembly

Kind of Cube	Code
18 g. (Standard)	C201070
33 g.	C201090
13 g.	C201072
42 g.	C201090

Ref. 19* - Ice Cubes Slide

Kind of Cube	Code
18 g. (Standard)	D12008
33 g.	D12030
13 g.	D12038
42 g.	D12030

Parts for Air-Cooled Version Only

Ref.	Spare Description	Code
16	Discharges Manifold	C10006

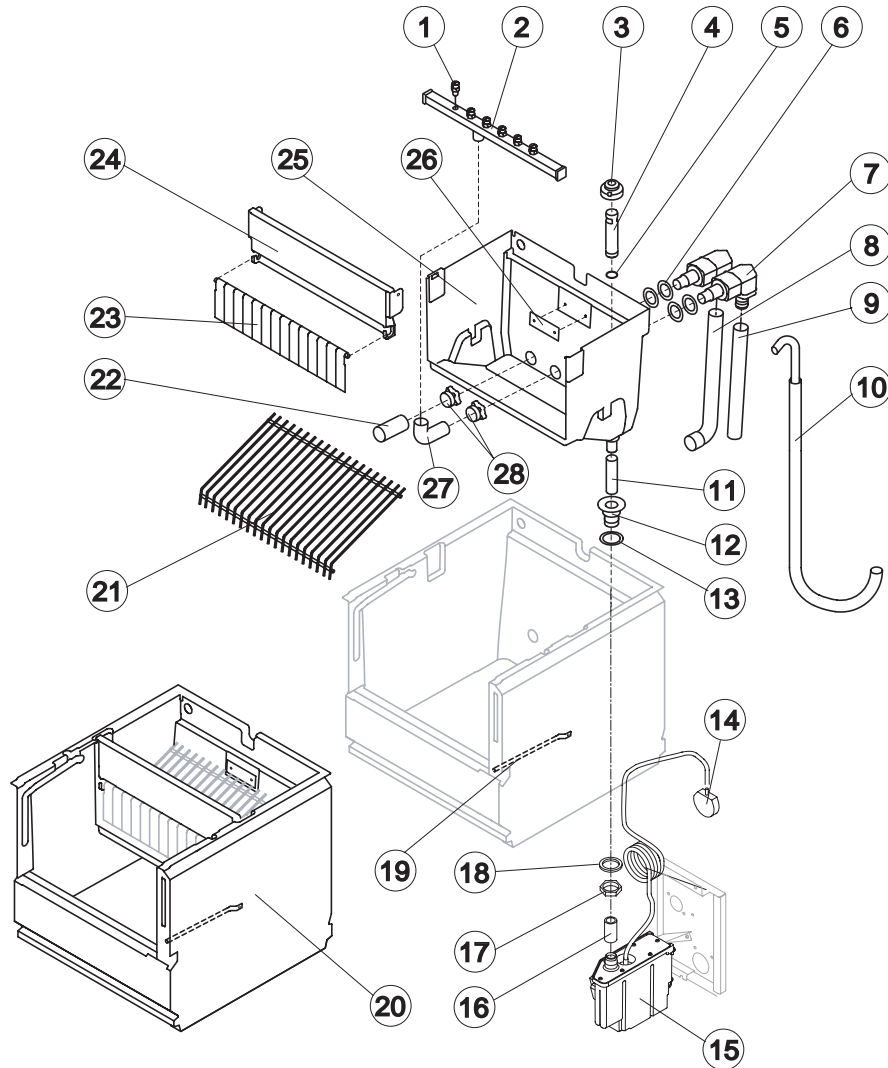
Parts for Water-Cooled Version Only

Ref.	Spare Description	Code
16	Discharges Manifold	C26452



CB 316 New

HYDRAULIC CIRCUIT only for CB316A DP



Common Parts

Ref.	Spare Description	Code
1	Sprayer	D20002
2*	Sprayers Bar Assembly	See Table
3*	Overflow Cap	10305
4*	Overflow Pipe	10133
5*	OR Gasket for Overflow Pipe	20233
6	Gasket for Pump Suction/Delivery Pipes	13220
7	Insulated Pump Suction/Delivery Fitting	C10653
8	Insulated Pump Suction Pipe	C13172
9	Insulated Pump Delivery Pipe	C13175295
10*	Water Supply Pipe to the Evaporator	C13224
11*	Overflow Pipe	13107
12	Water Outlet Nipple	10472
13	Gasket	13219
14	Drain Pump Pressure Switch	C231230
15	Drain Pump	RC231225
16	Bin Discharge-Drain Pump Connection	C13175100
17	Bin Discharge Nut	10096
18	Semirigid Polyethylene Gasket	13007
19	Bulbe-holder Pipe	20522
20	Complete Basin Assembly	C11257
21*	Ice Cubes Slide	See Table
22*	Pump Suction Filter	20005
23	Rod with Flags	10534
24	Flags ABS Support	10526
25	Inner Basin	10916
26	Slide Keep Plat	10009
27	Sprayers Feeding Pipe	13005
28	Fittings Locking Ring	10654

Ref. 2* - Sprayers Bar Assembly

Kind of Cube	Code
18 g. (Standard)	C201070
13 g.	C201072

Ref. 21* - Ice Cubes Slide

Kind of Cube	Code
18 g. (Standard)	D12008
13 g.	D12038

Rev. 00 - 01/10/2021



CB 316 New

ELECTRIC PARTS

Common Parts

Ref.	Spare Description	Code
1*	Green Light Switch (On-Off)	23327
3*	Bin Thermostat	23005
5*	Fan Motor	231041
7*	1 Way- Water Inlet Valve	23115
8*	Pump Assembly	See Table
10*	Evaporator Thermostat	23591
11*	Timer	See Table

Parts for Water-Cooled Version Only

Ref.	Spare Description	Code
2	Anti Radio Interference Filter	C23457
4*	Safety Thermostat	C23114
6*	1 Way- Water Inlet Valve	23115
9*	Condenser Pressure Switch	231342

Ref. 8 - Pump Assembly

Voltage	Code
220/240V 50 Hz	C231397
220V 60 Hz	C231418

Ref. 11* - Timer

Voltage	Cube 18g	Cube 33g	Cube 13g	Cube 42g
220/240V 50 Hz	23222	23248	23247	23780
220V 60 Hz	231078	231080	231077	231080

Rev. 00 - 01/10/2021

